

**DESCRIPTION:**

AMC MODEL SWN-218-2DT OPT. 100M2, HS IS A SINGLE POLE TWO THROW, ABSORPTIVE/NON-REFLECTIVE SWITCH MODULE WITH VERY LOW INSERTION LOSS, HIGH ISOLATION AND WITH INTEGRAL TTL DRIVER, DESIGNED FOR BROAD BAND OPERATIONS.

REVISIONS				
ZONE	REV.	DESCRIPTION	DATE	APPROVED
-		ORIGINAL RELEASE JOB# 403030	9/29/04	

**SPECIFICATIONS:**

- FREQUENCY: 0.1 GHz TO 2 GHz
- INSERTION LOSS: -2.0db
- ISOLATION: -60db
- VSWR: IN/OUT: 2.0:1  
OUT/OFF: 2.0:1
- SPEED: RISE: 10ns TYPICAL, 15ns MAX.  
FALL: 10ns TYPICAL, 15ns MAX.  
DELAY ON: 20ns MAX.  
DELAY OFF: 20ns MAX.
- POWER INPUT: (CW)+20dBm (STANDARD), +10 dBm (HIGH SPEED)
- SURVIVAL POWER: 1 WATT CW, 10 WATTS PEAK 1 usec
- CONTROL: TTL LOGIC "0"= J1-J2 ON "1"= J1-J3 ON
- POWER SUPPLY: +5V @ 100 mA MAX.  
-5V @ 100 mA MAX
- CONNECTORS:  
RF SMA FEMALE  
CONTROL SOLDER PIN
- SIZE: 1.20" (L) x 1.00" (W) x 0.50" (H)
- WEIGHT: 1.5 OUNCE TYPICAL

**OPTIONS:**

- 100M2: FREQUENCY 0.1 GHz TO 2 GHz
- HS: HIGH SPEED

**ENVIRONMENTAL RATINGS:**

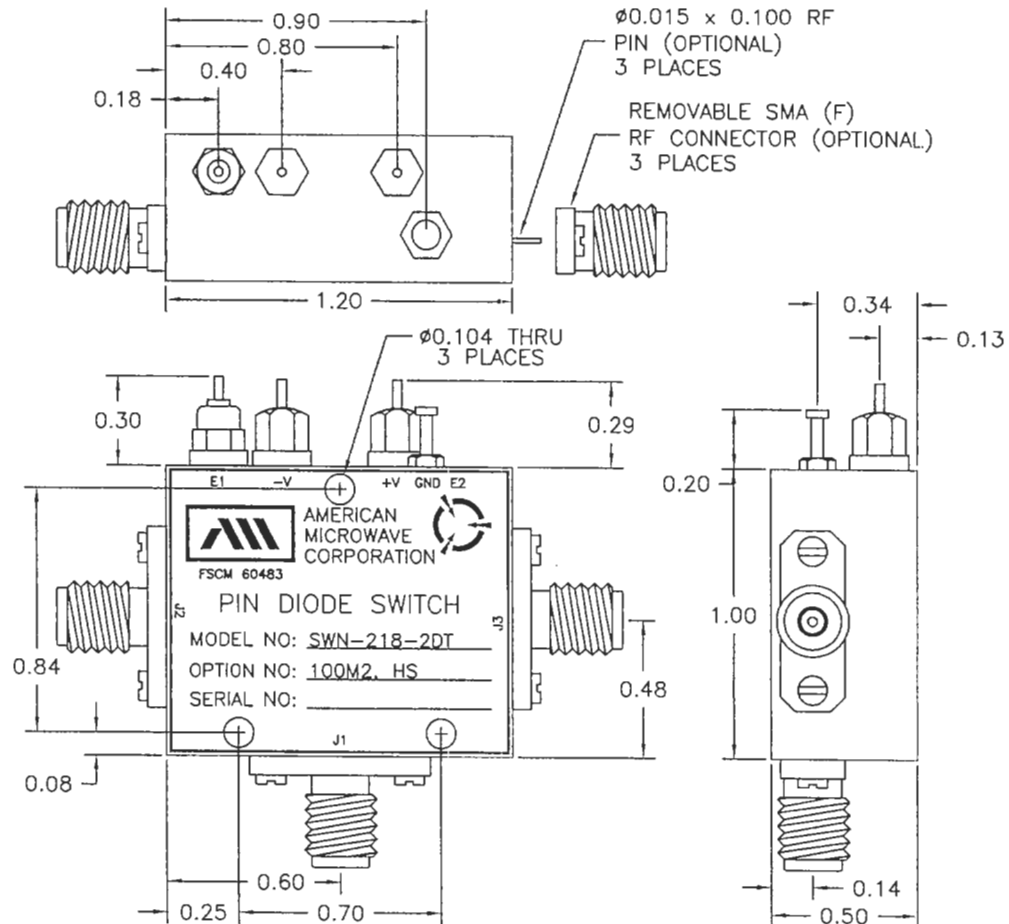
- TEMPERATURE: -55°C TO +85°C (OPERATING)  
-65°C TO +125°C (STORAGE)
- HUMIDITY: MIL-STD-202F, METHOD 103B COND. B
- SHOCK: MIL-STD-202F, METHOD 213B COND. B
- VIBRATION: MIL-STD-202F, METHOD 204D COND. B
- ALTITUDE: MIL-STD-202F, METHOD 105C COND. B
- TEMPERATURE CYCLE: MIL-STD-202F, METHOD 107D COND. A

ALL DIMENSIONS ARE IN INCHES

TOLERANCES:

- X.XX ±0.020
- X.XXX ±0.010

NOTE: SPECIFICATIONS WILL VARY OVER OPERATING TEMPERATURE  
NOTE: THE ABOVE SPECIFICATIONS ARE SUBJECT TO CHANGE OR REVISION



**AMERICAN MICROWAVE CORPORATION**

7311-G GROVE ROAD  
FREDERICK, MARYLAND 21704 USA  
TEL: 301-662-4700 FAX: 301-662-4938  
WEBSITE: [www.americanmicrowavecorp.com](http://www.americanmicrowavecorp.com)  
E-MAIL: [sales@americanmicrowavecorp.com](mailto:sales@americanmicrowavecorp.com)  
ISO 9001:2000 CERTIFIED



APPROVALS		DATE	TITLE			
DRAWN	<i>JKM</i>	9/29/04	PRODUCT FEATURE SWN-218-2DT OPTION: 100M2, HS 100 MHz TO 2 GHz, ABSORPTIVE/NON-REFLECTIVE SP2T SWITCH			
REDRAWN	<i>gdy</i>	8/25/04	SIZE	FSCM NO.	DWG NO.	REV.
ISSUED	<i>PA</i>	8/21/04	A	60483	100-6943	-
			SCALE	SHEET		
			N:S	1 OF 3		